

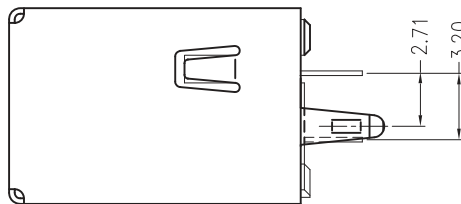
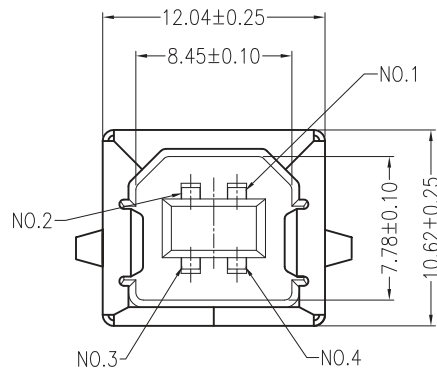
RECOMMENDED PCB LAYOUT
COMPONENT SIDE

Specifications

- Current Rating: 1.5A AC/DC
- Voltage Rating: 30V AC/DC
- Contact Resistance: 30m ohm. Max.
- Insulation Resistance: 1000M ohm. min.
- Withstanding Voltage: 500V AC For One Minute
- Operating Temperature Range: -55°C ~ +105°C

Material And Finish

- Insulator: PBT+30%GF UL94V-0
- Contact: Brass or Copper Alloy
- Plating: Gold Plated on Contact Area, Tin Plated on Solder Tail.
- Shell: Brass or Copper Alloy, Nickel Plated



AAACONN

RoHS Compliant

TOLERANCES ARE

AAA (HK) Electronics Co., Ltd.

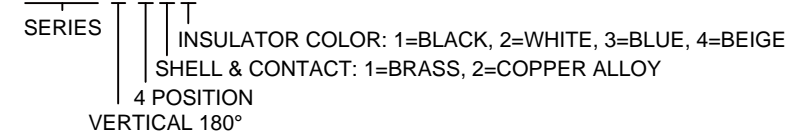
www.aaaconnectors.com

DRAWING BY		X. ± 0.50
CHECKED BY		.X ± 0.25
UNIT / mm	SCALE 1 : 1	.XX ± 0.15
DATE		.XXX ± 0.05
SIZE A4	PPOJECTION	ANG ± 1°



ORDER INFORMATION

USB-B-V-4-x-x



Description: USB-B (USB TYPE-B) USB 2.0 Receptacle Connector 4 Position Through Hole