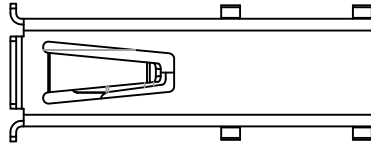
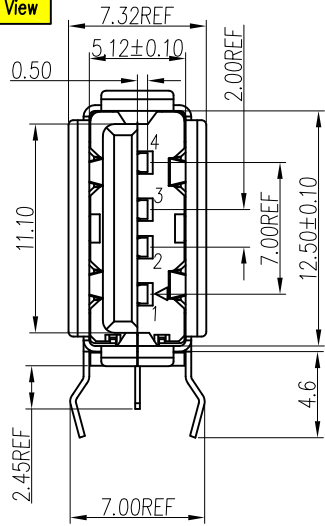


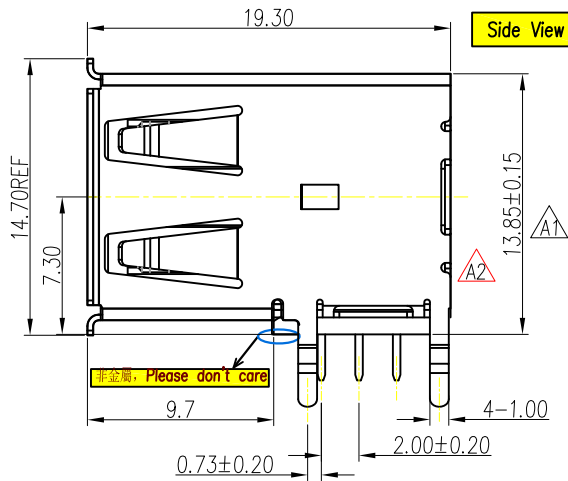
Top View



Front View



Side View

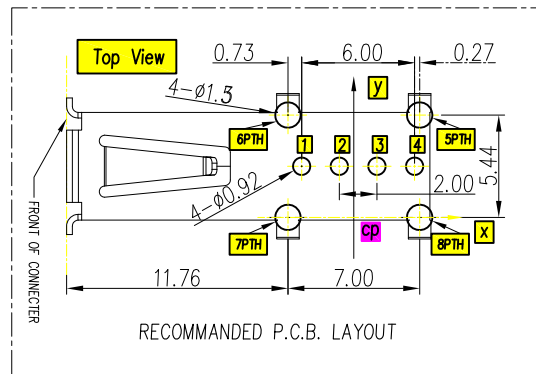
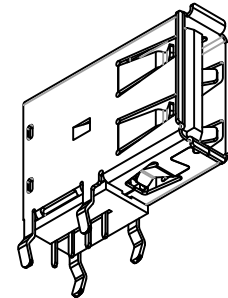


Specifications

- Current Rating: 1.5A AC/DC
- Voltage Rating: 30V AC/DC
- Contact Resistance: 30m ohm. Max.
- Insulation Resistance: 1000M ohm. min.
- Withstanding Voltage: 500V AC For One Minute
- Operating Temperature Range: -55°C ~ +105°C

Material And Finish

- Insulator: PBT+30%GF UL94V-0
- Contact: Brass or Copper Alloy
- Plating: Gold Plated on Contact Area, Tin Plated on Solder Tail.
- Shell: Brass or Copper Alloy, Nickel Plated



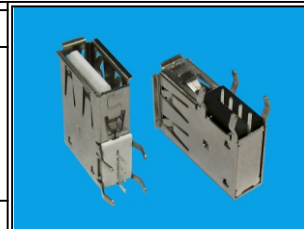
AAAconn

AAA (HK) Electronics Co., Ltd.  
www.aaaconnectors.com

RoHS Compliant

DRAWING BY		X. ± .X ± 0.30 .XX ± 0.20 .XXX ± 0.10 ANG ± 1°
CHECKED BY		
UNIT / mm	SCALE 1 : 1	
DATE		
SIZE A4	PJECTION	

TOLERANCES ARE



ORDER INFORMATION

USB-A-VF-4-x-x

SERIES

INSULATOR COLOR: 1=BLACK, 2=WHITE, 3=BLUE, 4=BEIGE

SHELL & CONTACT: 1=BRASS, 2=COPPER ALLOY

4 POSITION  
VERTICAL, FLAG

Description: USB-A (USB TYPE-A) Receptacle Connector 4 Position Through Hole, Right Angle