

Technical Data:

Material:

- Solder Pin: Brass or Copper Alloy with Tin plated
- Insulator body(housing): Polyamide(Glass filled)(UL94V-0)

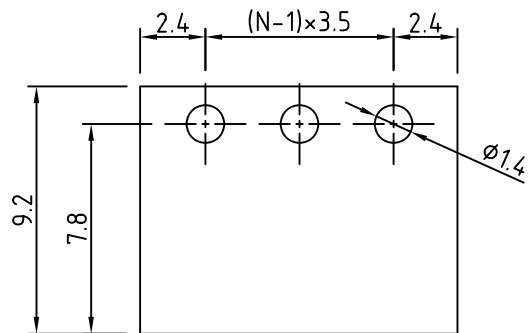
Electrical

- Voltage rating: 300V
- Current rating: 10A
- Insulation resistance: 500MΩ at DC 500V
- Withstanding Voltage: AC 1600V(1min)

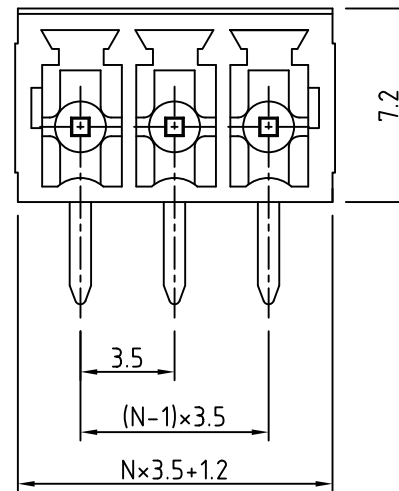
Mechanical:

- Using temperature Range: -40°C to +105°C
- Soldering temperature: +250°, 5seconds Max.

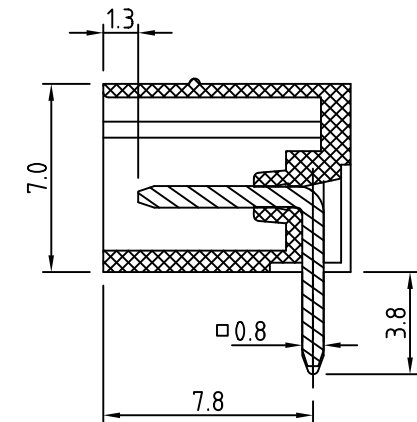
Safety approval deta: 



P.C.B. LAYOUT



N=Number of contacts



AAACONN

AAA (HK) Electronics Co., Ltd.

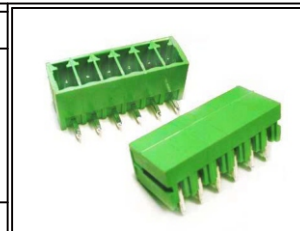
www.aaconnectors.com

RoHS Compliant

TOLERANCES ARE

DRAWING BY	X, ±
CHECKED BY	.X ±
UNIT / mm	.XX ±
SCALE 1 : 1	.XXX ±
DATE	ANG ±

SIZE A4 PPROJECTION 



ORDER INFORMATION

TBHH90-350-xx-xx

SERIES

INSULATOR COLOR : 1=GREEN, 2=BLACK, 3=BLUE, 4=GREY

CONTACT : 1=BRASS, 2=COPPER ALLOY

POLES : 02-24

PITCH : 3.50mm

Description: Terminal Block Header Male Pins 90° Right Angle 3.50mm Through Hole