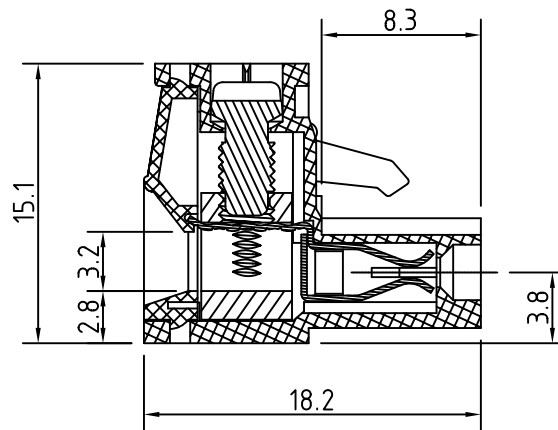


N=Number of contacts



Technical Data:

Material:

- Contact(metal housing): Brass Machined(Option)
- Terminal screw: Steel Galvanized and chromitized or Nickel plated or Tin plated(standard)(optian)
- △ ◦ Wire guard: PhBz, Tin plated.
- Insulator body(housing): Polyamide(Pa66) (UL 94V-0)

Electrical

- △ ◦ Voltage rating: 300VAC
- △ ◦ Current rating: 20Amps/way max
- Contact resistance: 20mΩ(max)
- Insulation resistance: 5000MΩ/1000V
- Withstanding Voltage: 2500VAC(1min) Test time=60sec/1pcs
- △ ◦ Wire range: 12-30AWG

Mechanical:

- Torque: 4kgf.cm/M3
- Operating temperature: -33°C to +120°C
- Soldering temperature= 250°C/5 seconds max

AAACONN

RoHS Compliant

TOLERANCES ARE

AAA (HK) Electronics Co., Ltd.
www.aaaconnectors.com

DRAWING BY		X. ±
CHECKED BY		.X ±
UNIT / mm	SCALE 1 : 1	.XX ±
DATE		.XXX ±
SIZE A4	PPOJECTION	ANG ±



ORDER INFORMATION

TBP180-500-xx-x

SERIES

INSULATOR COLOR : 1=GREEN, 2=BLACK, 3=BLUE, 4=GREY

POLES : 02-24

PITCH : 5.00mm

Description: Terminal Block Plug Female Sockets 180° Free Hanging (In-Line) 5.00mm