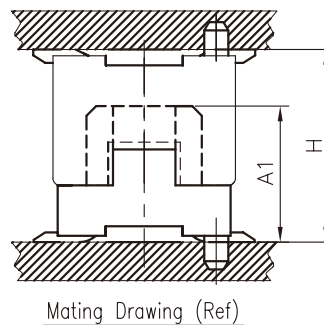


Specifications :

1. Current Rating : 0.5A AC/DC
 2. Voltage Rating : 50V AC/DC
 3. Contact Resistance : 30m ohm. max.
 4. Insulation Resistance : 100M ohm. min.at 100V DC
 5. Withstanding Voltage : 100V AC for one minute
 6. Operating Temperature Range : -20°C to +105°C
- Material and Plated :
- 1.Housing : High Temp Plastic (LCP UL94V-0)
 - 2.Contact : Phosphor Bronze
 - 3.Plated: Gold Plated

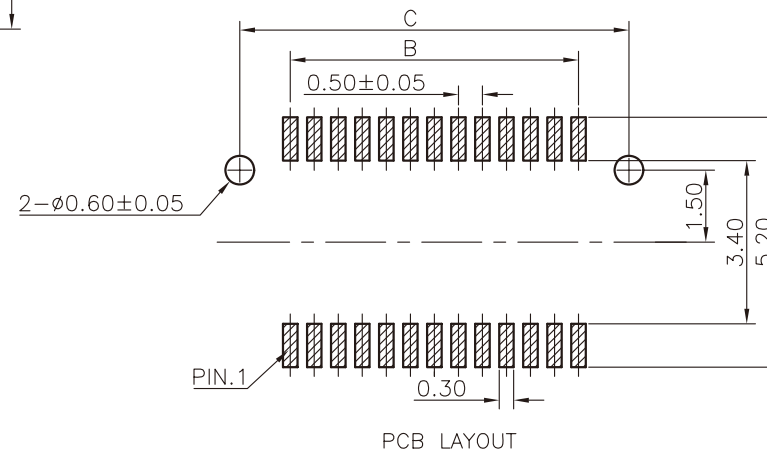


**Mating Dimension

P/N(Socket)	Plug Height Dim A1	Mating Height Dim H
DF12-F22P-xxx	2.2	3.0
DF12-F27P-xxx	2.7	3.5, 4.0, 5.0

**Contact Dimension :

Contact	DIM. A	DIM. B	DIM. C	DIM. D	Contact	DIM. A	DIM. B	DIM. C	DIM. D
10	4.6	2.0	4.1	3.1	36	11.1	8.5	10.6	9.6
14	5.6	3.0	5.1	4.1	40	12.1	9.5	11.6	10.6
20	7.1	4.5	6.6	5.6	50	14.6	12.0	14.1	13.1
30	9.6	7.0	9.1	8.1	60	17.1	14.5	16.6	15.6
32	10.1	7.5	9.6	8.6	80	22.1	19.5	21.6	20.6



AAACONN

AAA (HK) Electronics Co., Ltd.

www.aaaconnectors.com

RoHS Compliant

TOLERANCES ARE

DRAWING BY

X, ±

CHECKED BY

.X ±

UNIT / mm

SCALE 1 : 1

.XX ±

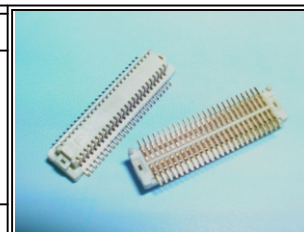
.XXX ±

DATE

ANG ±

SIZE A4

PJECTION



ORDER INFORMATION

DF12-FxxP-xxx
 SERIES | POSITIONS
 P : POST
 22: 2.2mm
 FEMALE 27: 2.7mm

Description: 0.50mm Board to Board Connector Receptacle